

SEISUI MARU

TRAINING & RESEARCH VESSEL



THE FACULTY OF BIORESOURCES
MIE UNIVERSITY

1990

勢水丸

SIGNED BY Dr. IZAWA (PRE PRESIDENT OF MIE UNIV.)



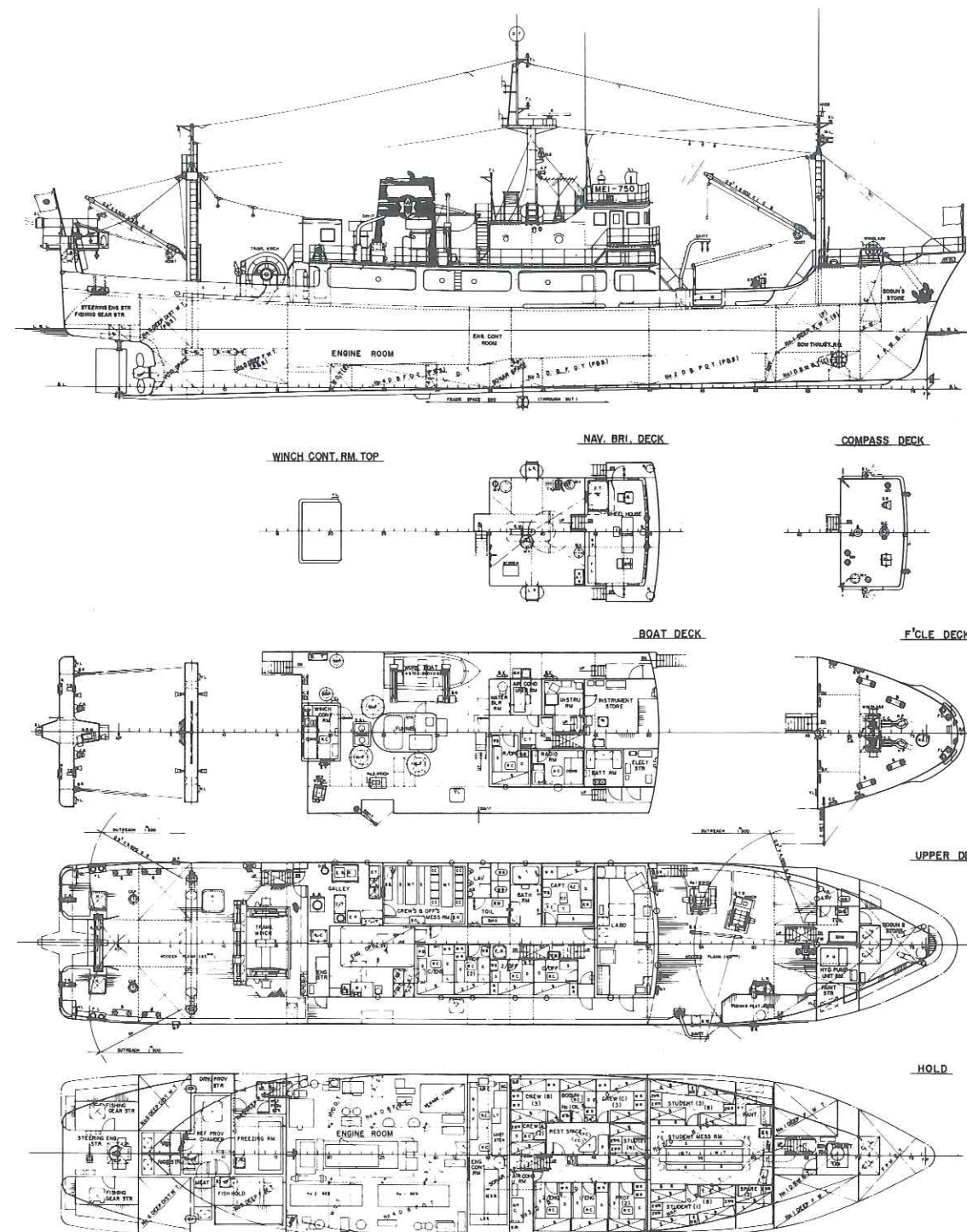
◀ SCENE of LAUNCH

LAUNCHED DATE : APRIL 4 1980
 DELIVERIED DATE : JULY 10 1980
 BUILDER : MITSUBISHI HEAVY INDUSTRIES, Ltd.
 SHIMONOSEKI SHIPYARD

INDEX

GENERAL ARRANGEMENT	1
THE PARTICULARS	2
ARRANGEMENT of OBS. EQUIPMENTS	3
SCENES of TRAINING (FISHING)	4
SCENES of TRAINING (OBSERVATION)	5

SEISUIMARU GENERAL ARRANGEMENT



THE PARTICULARS

OFFICIAL NUMBER	122588	MAIN ENGINE	6DSM-26FSX 1 SET
CALL SIGN	J I P K	(DAIHATSU DIESEL : 4CYCLE 1300PSX750RPM)	
LENGTH(O.A)	47.00m	PROPELLER	KAMOME CPC-53/65 1 SET
LENGTH(P.P)	42.00m	(4 BLADES CONTROLLABLE PITCH PROP.)	
BREADTH	8.40m	BOW THRUSTER	THRUST Pw. 1.6T
DEPTH	4.00m		
GROSS TONNAGE	359.31T	TANK CAPACITY	
NET TONNAGE	108.89T	DRINKING WATER	41m ³
MAX. SPEED	13.92kn	FRESH WATER	30m ³
SEA SPEED	12.00kn	FUEL OIL	158m ³
CRUISING DIST.	6,800NM	FISH HOLD	50m ³

COMPLEMENT	43P	RADIO EQUIPMENTS	
CREW	16P	MAIN TX	250W
PROFESSORS	4P	SUB TX	125W
STUDENTS	20P	INTERNATIONAL MARINE VHF	
SPARE	3P	INMARSAT COMMUNICATION SYSTEM	
		SOS BOUY	2 SETS

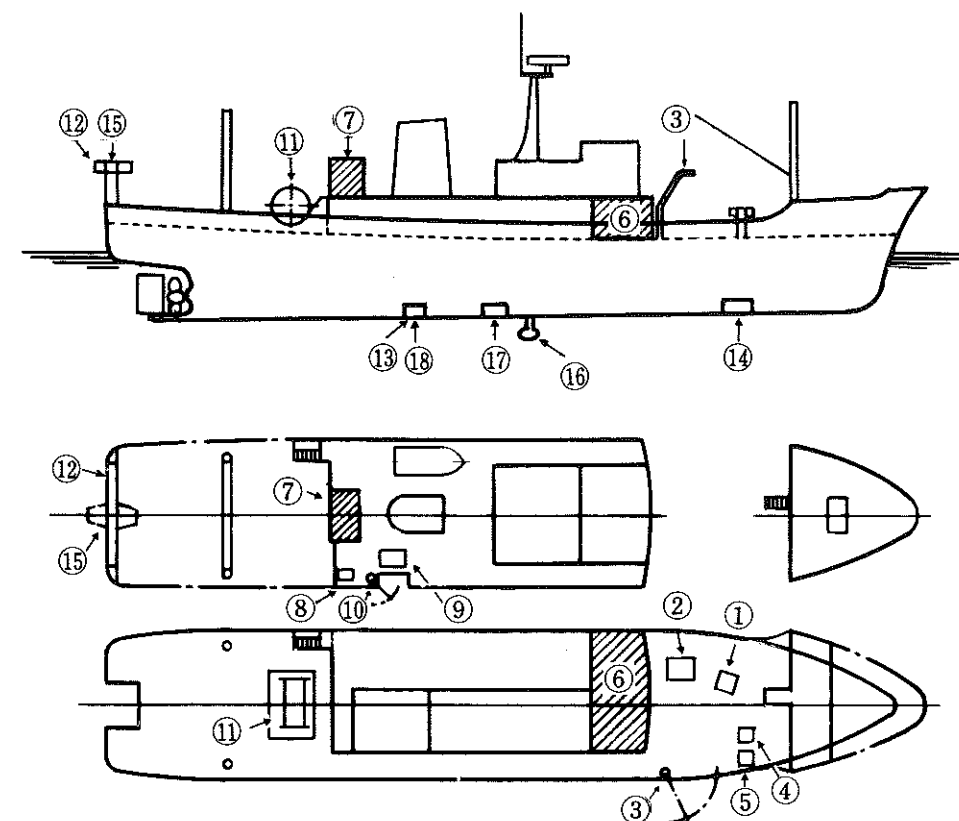
OBSEVATION of EQUIPMENTS

CTD Do. SYSTEM	1 SET	GEK OBS. SYSTEM	1 SET
ROSSET MULTI SAMPLER	1 SET	RECORDING CURRENT SYSTEM	1 SET
DOPPLER CURRENT METER	1 SET	GRAB SAMPLER	
SCIENTIFIC ECHO SOUNDER	1 SET	SMITH-McINTYRE TYPE	3 SETS
BOTTOM PINGER	2 SETS	GRAVITY CORE TYPE	2 SETS
WATER SAMPLER		UNDER WATER TV SYSTEM	1 SET
NANSEN TYPE	6 BOT'S		

FISHING GEARS

TRAWL FISHING NETS (BOTTOM & MIDDLE LAYER NET)
 LONGLINE FISHING GEARS (BOTTOM & FLOATING)
 FLOAT STREAMING FISHING NETS

ARRANGMENT of OBS. EQUIPMENTS



- | | |
|-------------------------------------|--|
| 1. CTD WINCH (3200m X 6 #/m) | 10. DAVIT for BT |
| 2. OBS. WINCH (6000m X 4 #/m) | 11. TRAWL WINCH (2000m X 16 #/m) (6 t X 60m / min) |
| 3. DAVIT for CTD & OBS. WINCH | 12. GALLOWS |
| 4. LINE HAULER (200kg X 272m / min) | 13. SENSOR of NET RECORDER |
| 5. NET HAULER (200kg X 177m / min) | 14. ECHO SOUNDER for DEEP SEA |
| 6. LAVOLATORY ROOM (WET & DRY) | 15. TOP ROLLER for OBS. |
| 7. TRAWL WINCH CONT. ROOM | 16. SCANING SONAR |
| 8. GEK WINCH (50kg X 72m / min) | 17. SENSOR of DOPPLER CURRENT METER |
| 9. BT WINCH (50Kg X 72m / min) | 18. SENSOR of ECHO SOUNDER |

SCENES of TRAINING (FISHING)



▲TRAWL



▲SELECTION

MEASUREMENT ▶

SCENES of TRAINING (OBSERVATION)



◀CTD



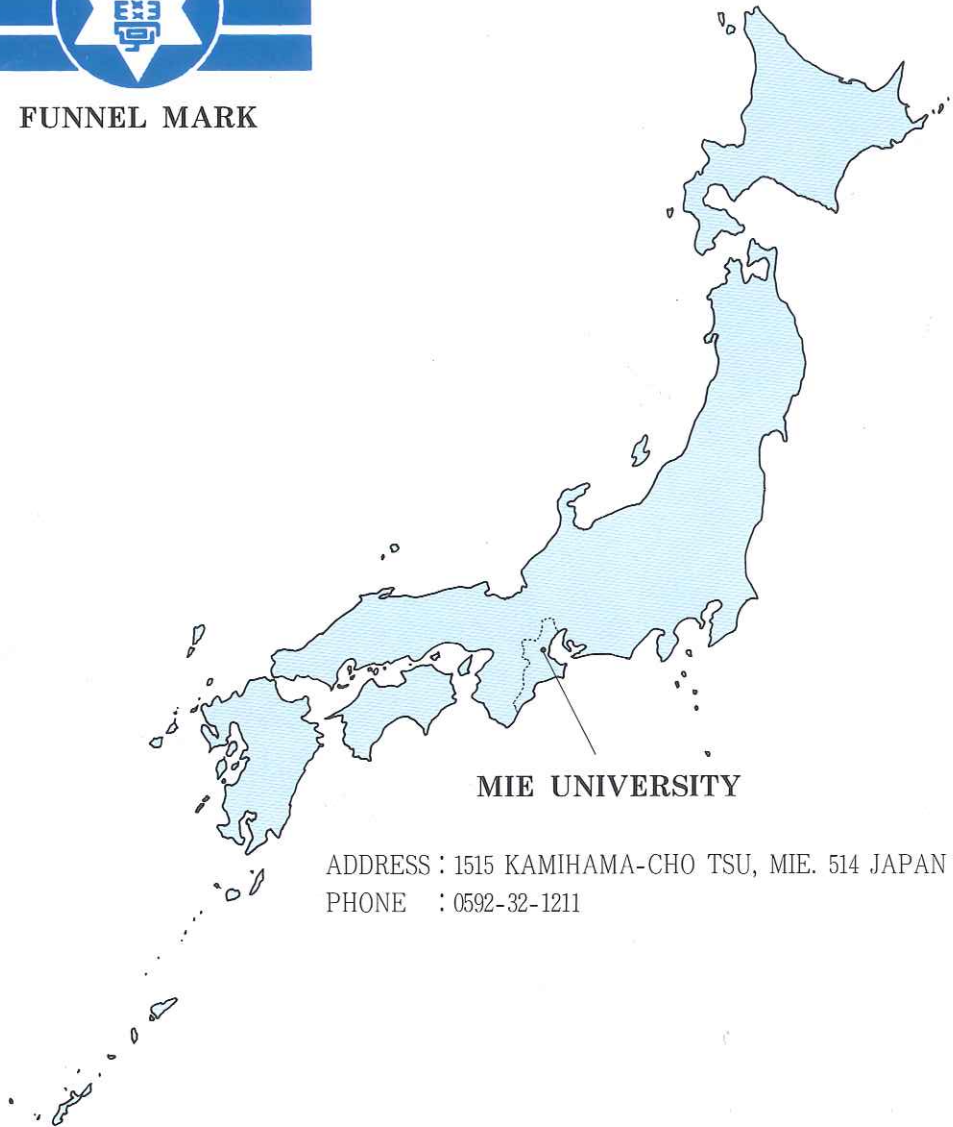
MBT ▶



◀DRY LABORATORY



FUNNEL MARK



MIE UNIVERSITY

ADDRESS : 1515 KAMIHAMA-CHO TSU, MIE. 514 JAPAN

PHONE : 0592-32-1211

SEISUI MARU

MARINE PHONE 07509-2-4047

INMARSAT PHONE 001-872-1201705

INMARSAT FACSIMILE 001-872-9-1201705